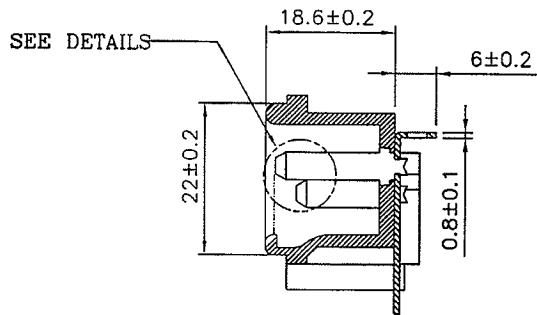
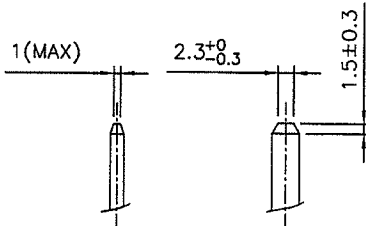


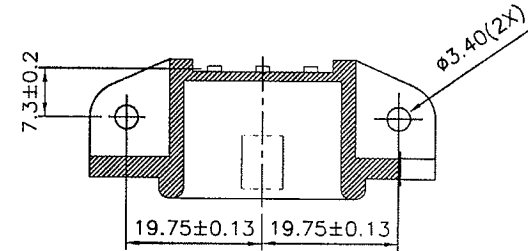
REV.	DESCRIPTION	DATE
A	PRELIMINARY DWG.	10/04/08



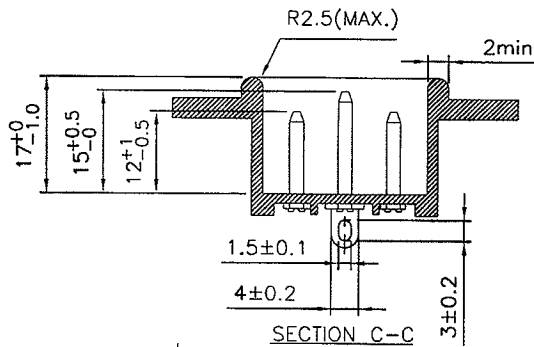
SECTION A-A



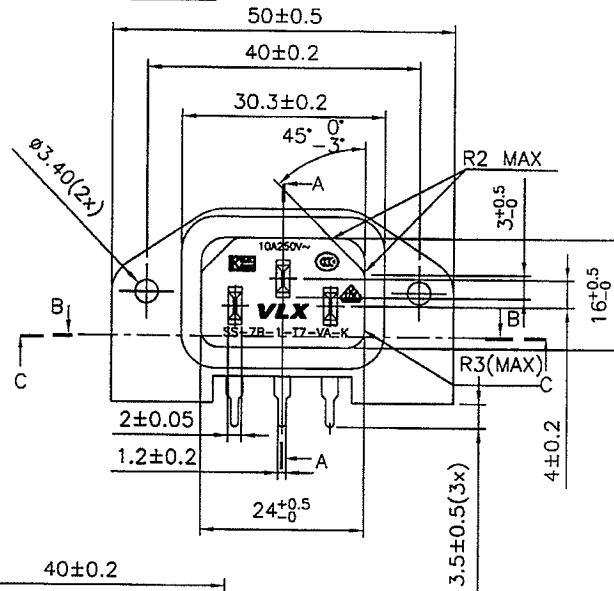
DETAILS



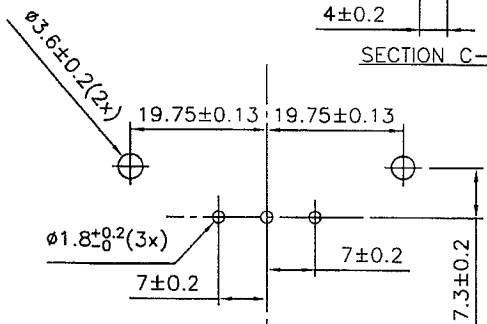
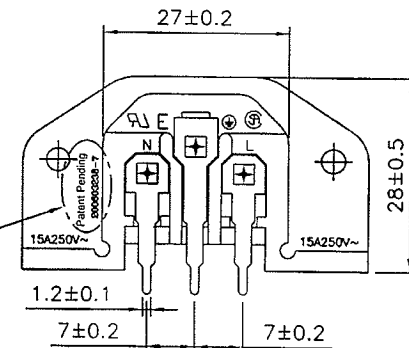
SECTION B-B



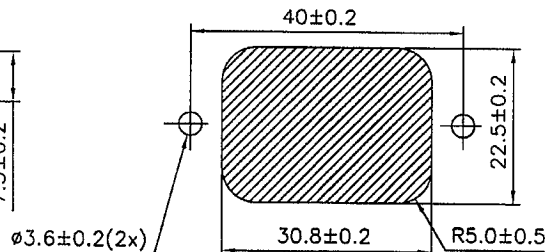
SECTION C-C



Patent Pending  
200603238-7



RECOMMENDED PCB LAYOUT



RECOMMENDED PANEL CUT-OUT

DRAWN	QIAN SM	10/04/08	FILE NAME :	TITLE :
CHECK			A-INLET\	A-INLET
APPR			SS-7B-1-T7-	SS-7B-1-T7-VA-K
REV.	A1	SCALE	N.T.S.	

REFERENCE :

**Voilex (Asia) Pte Ltd**

Confidential property of Voilex.  
Information contained herein shall not be disclosed to others,  
reproduced or used for any other purposes except as  
authorized in writing by an authorized official of voilex asia.

**NOTE :**

1.) ALL DIMENSION IN mm.